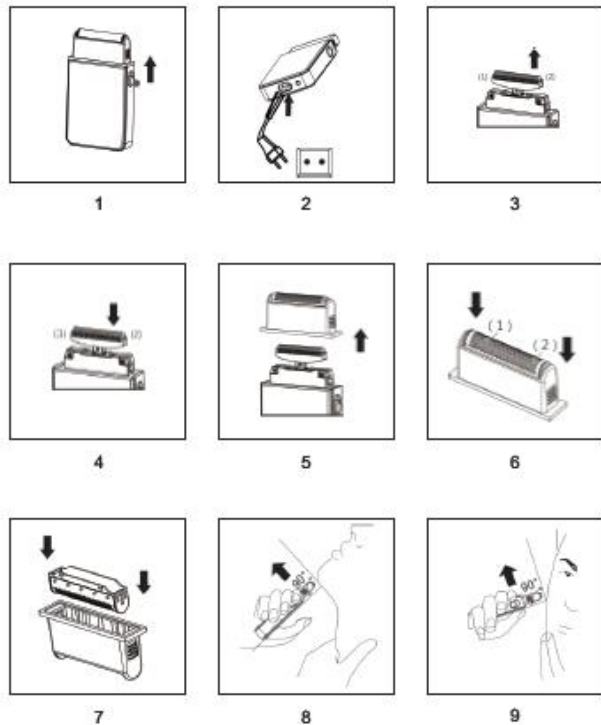


Saturn[®]

ST-HC8018

SHAVER



Rules for safe use:

1. Do not press on protective foil.
2. Do not open the protective foil with a screwdriver
3. Do not charge the shaver in humid places, in places with high temperature and direct sunlight.
4. Before disposing of this product please dispose battery separately.

Charging of the shaver:

Insert the adapter for recharging. Turn it on to the main supply. The shaver should be turned off and charging indicator should light indicating that it is charging. First recharging lasts for 8 hours .

Before charging the battery, make sure that it was completely off. This will help extend the life of the shaver. Once the shaver was fully charged, the charge can be used for a period of

about 7 days.

Usage:

Remove the protective cap and press the switch up. Gently touch the shaver the skin and move it against the hair growth. Stretching the skin gives the best shaving effect. Once you have finished shaving, close the shaver with protective cap. Since the shaver has the function of "wet shaving ", you can use a shaving gel that gives a better effect. Time for recharge of the battery should not exceed 5 hours, the excess of charge may damage the battery or even mains supply.

Usage (Trimmer):

1. Slide opening button of the trim forward and slide the trimmer.

2. Gently and at a right angle touch your skin and shave slowly.
3. After use, turn out the shaver and close the protective cap

Maintenance of razor:

Razor should be cleaned after each use for best shaving effect. Click on the special release buttons on both sides of the shaver to release the cover of the shaving unit. Clean shaving foil, trimmer, shaver blades and the body of the shaver. This shaver can be rinsed with water. After cleaning, assemble the shaver and close the protective cap . Service life -3 years.

SPECIFICATION

Power:	3 W
Voltage:	220-240 V
Frequency:	50 Hz
Rated current:	0,01 A
Non-stop operation:	45 min
Recharging:	8 hours

SET

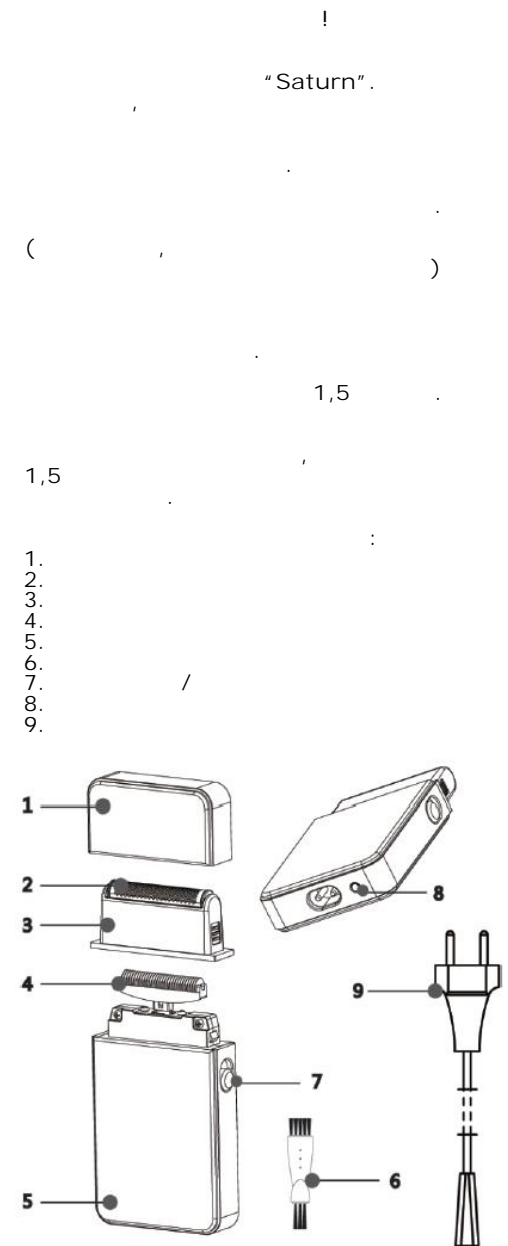
Shaver	1
Cleaning brush	1
User Manual	1
Warranty book	1
Packing	1

ENVIRONMENT FRIENDLY DISPOSAL

You can help protect the environment! Please remember to respect the local regulations: hand in the non-working electrical equipment to an appropriate waste disposal center.

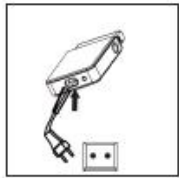
The manufacturer reserves the right to change the specification and design of goods.

RU





1



2



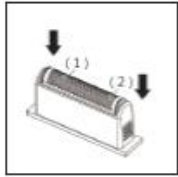
3



4



5



6



7



8



9

- 1.
- 2.
- 3.
- 4.

7

: 50

8
: 220-240

5-

6

7

1. ():
- 2.
- 3.



C -3

3
220-240
50
0,01
45
8

1
1
1
1
1