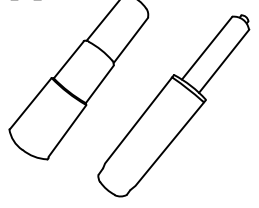
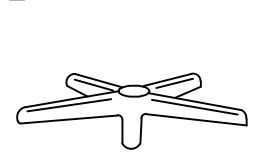


A x1



B x1



C x5



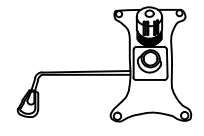
D x1



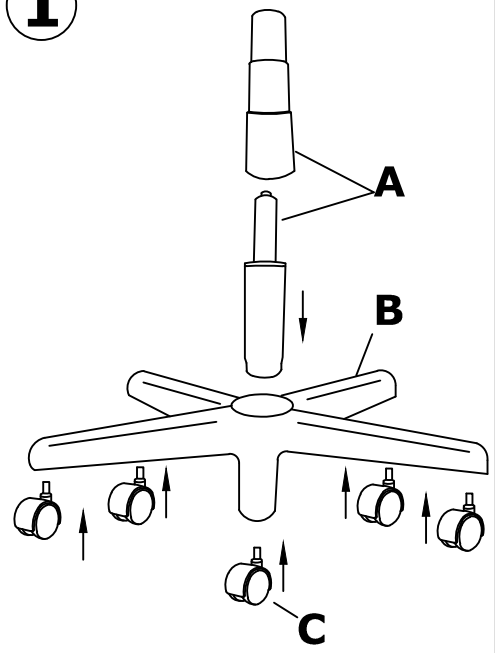
E x1



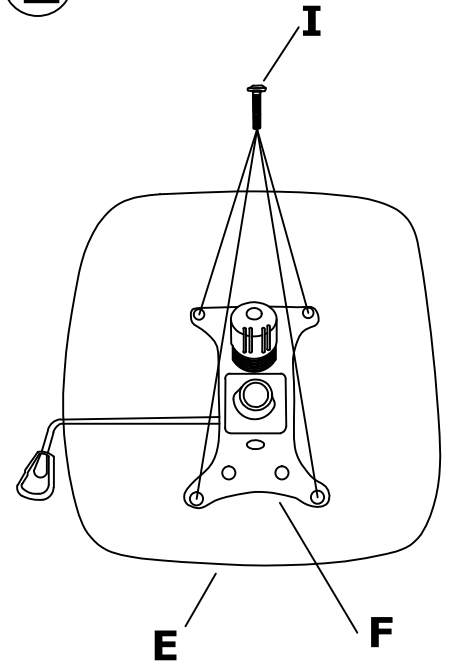
F x1



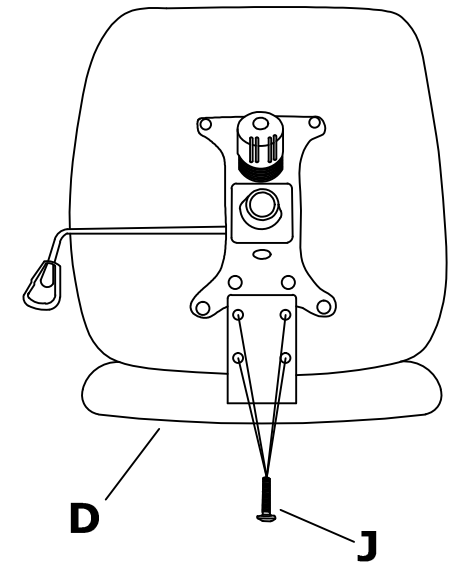
1



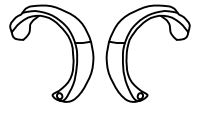
2



3



G x2

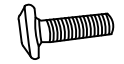


H x4



M8x45MM

I x4



M6x20MM

J x4

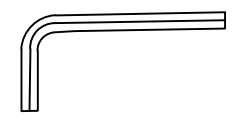


M6x25MM

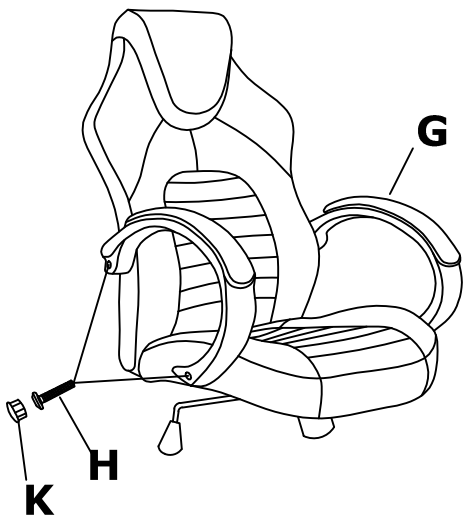
K x2



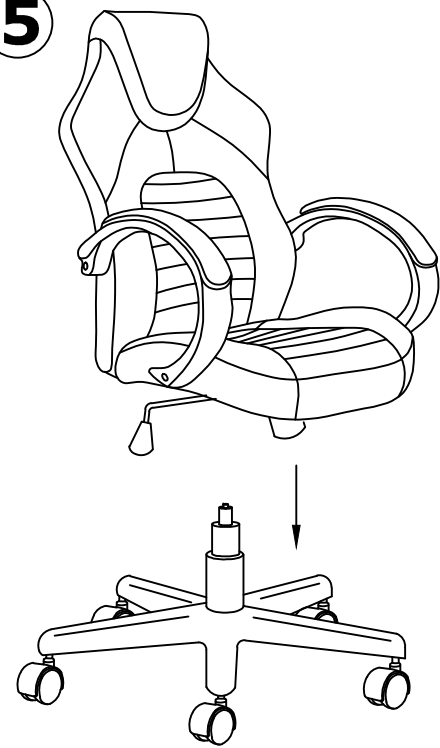
L x1



4



5



6

